

MOSA M12 MALE 0° FIELD-WIREABLE (IDC)3-pol. 0.25...0.5mm²

Male straight

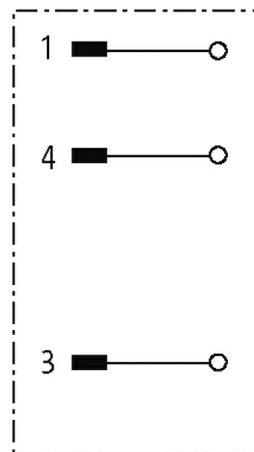
M12, 3-pole

IDC terminals

Connection cross section: 0.25...0.5 mm²

Art-No. 7005 - M12 Lite - (plastic hexagonal screw) on request

The resistance to aggressive media should be individually tested for your application. Further details on request.

Illustration

Product may differ from Image

Form

Form 12461

General data

Temperature range -25...+85 °C

Dimensions H×W×D 55×15×15 mm

Technical Data

Operating voltage max. 32 V AC/DC

Rated surge voltage 0.8 kV

Operating current per contact max. 4 A

Material group IEC 60664-1, category III

Connection cross section 0.25...0.5 mm² (conductor diameter min. 0.1 mm)

Sealing range (cable Ø) 4...5.1 mm

Wire isolation PVC, PP, TPE

Outer wire Ø 1.2...1.6 mm

Locking of ports Screw thread (M12×1 mm) recommended torque 0.6 Nm, self-securing

Protection	IP67 inserted and tightened (EN 60529)
------------	--

Reconnection (cable)	10
----------------------	----

Commercial data

country of origin	DE
-------------------	----

customs tariff number	85366990
-----------------------	----------

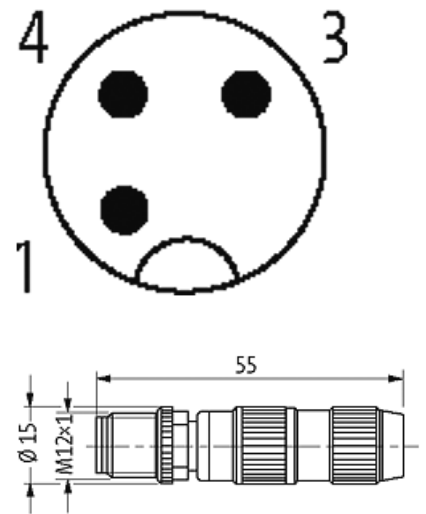
EAN	4048879201858
-----	---------------

eClass	27279221
--------	----------

Packaging unit	1
----------------	---

Sketch

Male



Product may differ from Image